

memo

Kino
2025 / Q2

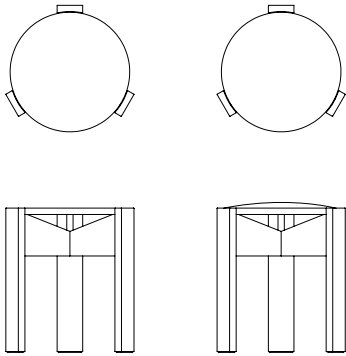
memo

Kino

Stool

Designed by Kensaku Oshiro, 2020

Made in the Canada, Assembled in the USA.



Depth	Width	Height
15.75"	15.75"	17.75 / 18.25"

Core Product	Core Code	List Price
Stool - Ash	KN01-S1-A	660
Stool - Walnut	KN01-S1-W	869

Standard with Core Product

Glides

Solid Wood Frame

Solid Wood Top

Textile Yardage	Seat
Total: .6	.6

List Price by Textile Grade*

	COM / 1	2	3	4	5	6	7	8	9	10	11	12	13	14	15
KN01-S1-A-UTT	902	908	915	920	927	935	946	956	969	986	1007	1028	1059	1103	1148
KN01-S1-W-UTT	1111	1117	1124	1129	1136	1144	1155	1165	1178	1195	1216	1237	1268	1312	1357

Standard with Core Product

Non-Marring Glides

High Resilience Polyurethane Foam

Options and Notes overleaf

Options

	Code	List Price Add
Upholstered Top	UTT	See previous page
Clear Finish (by species)	WCA	0
Stain Finish - Wood Top	WOA/WBA	27
	WWA	44
	WGA/WNP	71
Stain Finish - Upholstered Top	WOA/WBA	27
	WWA	44
	WGA/WNP	71

Specifiable Finishes

Wood Choose from Memo Wood Finishes on Page 7

Textiles Choose from Camira, Maharam, or Kvadrat textiles on page 80, or contact Memo for assistance with COM fabrics

Notes

For step-by-step specifications and quotes, access our live quote tool on our website.

Textiles

Graded-in Textiles

Memo has partnered with Camira, Designtex, Kvadrat, and Maharam to offer graded-in textiles. All graded-in textiles are listed by Pattern Name on page 77 and by Grading Group on page 78. Our Grading Groups and their LIST prices per yard are outlined below. Published product prices, including the cost of Graded-in Textiles, have been calculated by multiplying by the price per yard figures below by the yardage requirements indicated on a given product page.

Grading Group	LIST Price per Yard
1	53
2	64
3	75
4	84
5	95
6	109
7	126
8	144
9	165
10	193
11	228
12	263
13	315
14	389
15	463

Memo is glad to grade in textiles from suppliers other than Camira, Designtex, Kvadrat, and Maharam per customer requests. A grading fee of \$200 NET per pattern, per product, will apply in such cases. Please contact us to submit grading requests.

When specifying graded-in textiles the projected completion date of your order may exceed our normal lead times due to constraints of the textile supplier. In such instances, Memo will promptly communicate such delays and advise on adjusted lead times.

Textiles are subject to the quality and shipping standards of the provider. Memo assumes no responsibility for defects, color inaccuracies, shortages, wear, or performance of textiles.

Ordering a Textile Sample

Samples can be ordered by visiting the textile provider's website.

Textiles Graded-in sorted by pattern name Camira

Pattern Name	Group
Blazer	8
Carragan Flax	11
Era	2
Gravity	2
Lucia T2T	5
Main Line Flax	7
Monochrome Set	7
Oceanic	7
Sumi	7
Synergy	8

Textiles Graded-in sorted by pattern name Kvadrat, cont.

Pattern Name	Group
Hallingdal 65	12
Melange Nap	11
Re-wool	10
Remix 3	9
Sisu	14
Steelcut 2	11
Steelcut Trio 3	11
Tonica 2	10

Textiles Graded-in sorted by pattern name Designtex

Pattern Name	Group
Alphabet	7
Billiard Cloth	9
Brushed Flannel	7
Checker	11
Dovetail	5
Everywhere Texture	9
Gamut	5
Hashtag	8
Microweed	10
Overtone	5
Rein	6
Rocket	7
Tour	7
Tweedy Twill	6
Woolish	7

Textiles Graded-in sorted by pattern name Maharam

Arlo	466598	8
Article	458600	6
Beck	466570	10
Brindle	466418	8
Campana	466571	12
Chapter	466610	??
Compound	466196	10
Darning Sampler Plaid	466462	15
Felix	466625	12
Firma	466582	12
Gemma	466568	12
Gemma Multi	466569	12
Hearth	466536	13
Isa	466624	12
Jasper	466563	10
Lariat	440401	4
Manner	466177	5
Mantle	466517	8
Meld	466387	5
Merit	458600	6
Messenger	458640	5
Metaphor	466553	5
Metric	466014	5
Method	466579	5
Mode	466337	6
Murmur	466446	5
Muse	466487	4
Nico	466564	9
Nova	466620	15
Province	466549	12

Textiles Graded-in sorted by pattern name Kvadrat

Pattern Name	Group
Arda (Febrik)	13
Canvas 2	10
Coda 2	13
Divina MD	11
Divina Melange 3	11

Textiles Graded-in sorted by Grading Group: Camira

Group & Price/yard	Pattern Name
Group 1 53	
Group 2 64	Era
Group 3 75	Gravity
Group 4 84	
Group 5 95	Lucia T2T
Group 6 109	
Group 7 126	Main Line FLax Monochrome Set Oceanic Sumi
Group 8 144	Blazer Synergy
Group 9 165	
Group 10 193	
Group 11 228	Craggen FLax

Textiles Graded-in sorted by Grading Group: Kvadrat

Group & Price/yard	Pattern Name
Group 1 53	
Group 2 64	
Group 3 75	
Group 4 84	
Group 5 95	
Group 6 109	
Group 7 126	
Group 8 144	
Group 9 165	Remix 3
Group 10 193	Canvas 2 Re-wool Tonica 2
Group 11 228	Divina MD Divina Melange 3 Melange Nap Steelcut 2 Steelcut Trio 3
Group 12 263	Hallingdal 65
Group 13 315	Arda Coda 2
Group 14	Sisu

Textiles Graded-in sorted by Grading Group: Designtex

Group & Price/yard	Pattern Name
Group 1 53	
Group 2 64	
Group 3 75	
Group 4 84	
Group 5 95	Dovetail Gamut Overtone
Group 6 109	Tweedy Twill
Group 7 126	Brushed Flannel Rocket Woolish
Group 8 144	Hashtag
Group 9 165	Billiard Cloth Everywhere Texture
Group 10 193	Microtweed
Group 11 228	Checker

Textiles Graded-in sorted by Grading Group: Maharam

Group 1	53		
Group 2	64		
Group 3	75		
Group 4	84	Lariat	440401
		Muse	466487
Group 5	95	Manner	466177
		Meld	466387
		Messenger	458640
		Metaphor	466553
		Method	466579
		Metric	466014
		Murmur	466446
Group 6	109	Article	458600
		Merit	458600
		Mode	466337
Group 7	126		
Group 8	144	Arlo	466598
		Brindle	466418
		Mantle	466517
Group 9	165	Nico	466564
Group 10	193	Beck	463770
		Compound	466196
		Jasper	466563
Group 11	228		
Group 12	263	Campana	466571
		Felix	466625
		Firma	466582
		Gemma	466568
		Gemma Multi	466469
		Isa	466624
		Province	466549
Group 13	315	Chapter	466610
		Hearth	466536
Group 14	389		
Group 15	463	Darning Sampler Plaid	466462
		Nova	466620